

This is an Open Access document downloaded from ORCA, Cardiff University's institutional repository:<https://orca.cardiff.ac.uk/id/eprint/95433/>

This is the author's version of a work that was submitted to / accepted for publication.

Citation for final published version:

Sainz, Luis, Monjo, Lluís, Pedra, Joaquin, Cheah, Marc, Liang, Jun and Gomis-Bellmunt, Oriol 2017. Effect of wind turbine converter control on wind power plant harmonic response and resonances. IET Electric Power Applications 11 (2) , pp. 157-168. 10.1049/iet-epa.2016.0241

Publishers page: <http://dx.doi.org/10.1049/iet-epa.2016.0241>

Please note:

Changes made as a result of publishing processes such as copy-editing, formatting and page numbers may not be reflected in this version. For the definitive version of this publication, please refer to the published source. You are advised to consult the publisher's version if you wish to cite this paper.

This version is being made available in accordance with publisher policies. See <http://orca.cf.ac.uk/policies.html> for usage policies. Copyright and moral rights for publications made available in ORCA are retained by the copyright holders.



Effect of Wind Turbine Converter Control on Wind Power Plant Harmonic Response and Resonances

L. Sainz^{1*}, Ll. Monjo², J. Pedra¹, M. Cheah-Mane³, J. Liang³, O. Gomis-Bellmunt¹

¹ Department of Electrical Engineering, ETSEIB-UPC, Av. Diagonal 647, Barcelona 08028, Spain

² Department of Industrial and Design System Engineering, ESTCE, Univ. Jaume I, Av. de Vicent Sos Baynat, s/n, 12071 Castelló de la Plana, Spain

³ School of Engineering, Cardiff University, CF24 3AA, Cardiff, U.K

* sainz@ee.upc.edu

Abstract: Wind turbine harmonic emissions due to power electronics are a well-known power quality concern in wind power plants. This problem may be increased by resonances because they amplify harmonic distortion around resonance frequencies. Hence, the resonance phenomenon is widely analysed in the literature. Resonance studies usually consider wind turbines as ideal current sources, which can lead to inaccurate results. The paper explores the effect of wind turbine converter control on wind power plant harmonic response. It contributes expressions of wind turbine equivalent harmonic impedance including current control of the grid side converter. This impedance allows wind turbine converter control to be considered in wind power plant modelling to analyse its effect on harmonic response and resonances. PSCAD and Matlab/Simulink simulations were performed to validate the analytical expressions and illustrate the usefulness of the work in predicting harmonic distortions at WT terminals in actual WPPs.

1. Introduction

Wind power plants (WPPs) with a large number of wind turbines (WTs) are rapidly developing worldwide [1]. Power quality problems arise in large WPPs because of the harmonic emissions of WTs equipped with power electronics [1] – [9]. These harmonic emissions are amplified by parallel resonances in the collector grid if they are close to the resonance frequency [1], [6], [7], [8] – [12]. A summary of the most important WPP harmonic and resonance issues is presented in [6], [8], [11]. In the literature, WPP parallel resonances are analysed to address harmonic concerns [6] – [12]. Recent works also explore resonance influence on stability of WT VSC control [9], [13], [14], [15]. These studies are mainly based on frequency scan analysis, which establishes the frequency range and peak impedance values of resonances. The WT model as an ideal current source is traditionally used in the literature to characterise resonances [1], [6], [7]. However, this model may lead to inaccurate results due to the influence of WT VSC control [6], [8] – [10]. An impedance-based representation can be used to identify electrical resonances and analyse the influence of grid and VSC control parameters [9], [15] – [18]. That is why, in order to obtain more accurate results, WT frequency-dependent models such as Norton equivalent sources, [9], [13] – [22], should be used in WPP resonance studies. In [16] – [22], the detailed expression of the

Norton equivalent impedance of grid-connected VSCs is analytically characterised for resonance and stability studies considering typical one- ([19] – [21]) or two- ([16] – [18], [22]) cascade control loops in synchronous (or d - q) reference frame. The numerical results in [17] and [18] are validated experimentally by the measurement technique in [23]. Most resonance and stability studies consider only the influence of the converter at the point of connection due to the complexity of its Norton equivalent impedance expressions. However, the other VSCs connected to the grid might affect resonance and stability, and therefore they should be also considered. Accordingly, [21] studies the harmonic stability of an islanded three-converter system and [22] analyses the interaction of two converters connected at different points of the grid. As mentioned in [19], [20], resonance characterisation in systems with a large number of converters, such as WPPs, is complex and requires modelling of converters with simplified and aggregated models.

The paper contributes with simplified analytical expressions of WT Norton equivalent impedances for harmonic studies. These expressions, which are validated from PSCAD and Matlab/Simulink simulations, reduce the complexity of considering WTs when frequency scanning and resonance characterisation is performed in grids with a large number of VSCs such as WPPs. Moreover, the paper explores in detail the effect of WT VSC control on WPP harmonic response and analyses its impact on

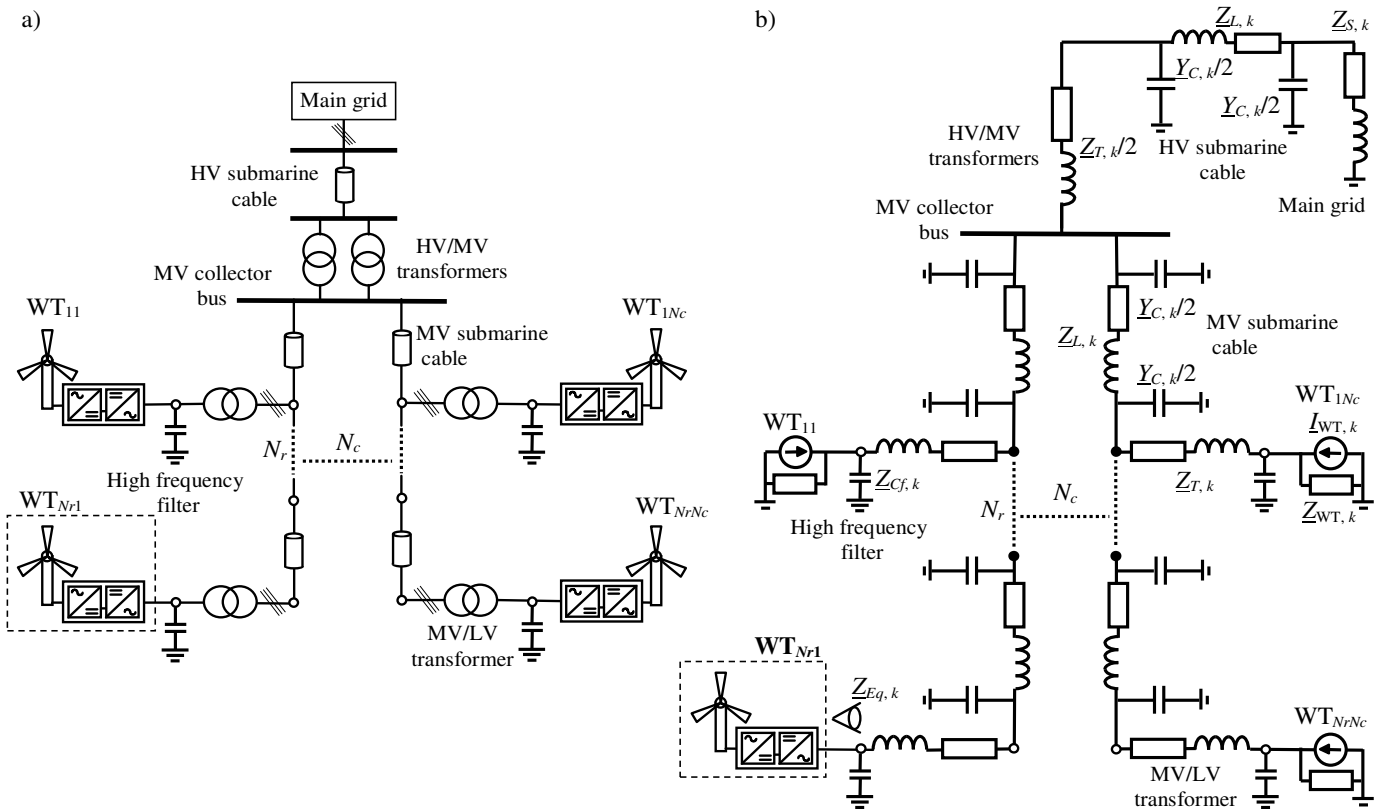


Fig. 1. Wind power plant

a WPP layout

b Equivalent circuit

WPP parallel resonances observed from WTs. The prediction of harmonic distortions at WT terminals in actual WPPs considering the expressions of WT Norton equivalent impedances is also discussed from simulations to show the usefulness of this work in characterising harmonic penetration in actual WPPs.

2. Wind Power Plant Modelling

Fig. 1(a) illustrates a generic offshore WPP layout where type-4 WTs are supplied through medium to low voltage (MV/LV) transformers and interconnected with an $N_r \times N_c$ collector grid of medium voltage (MV) submarine cables from the MV collector bus [6] – [13]. Type-4 WTs are always equipped with two converters in back-to-back configuration and high frequency filters are usually installed on the grid side of WT converters to mitigate frequency switching harmonics [6], [7]. The MV collector bus is connected to the main grid with two high to medium voltage (HV/MV) transformers in parallel and a high voltage (HV) submarine cable. Parallel resonances increase WPP voltage distortions if their frequency is close to the harmonics of WT emissions. Several works study the resonance problem at WT terminals to perform harmonic penetration analysis [1], [6], [7]. In order to identify parallel resonance frequencies, in harmonic studies WPPs are characterised by their equivalent circuit, Fig. 1(b), and the equivalent harmonic impedance observed from the WTs (e.g., $\underline{Z}_{Eq,k}$, observed from WT_{Nr1} in Fig. 1(b)) is studied. The equivalent harmonic impedances of the main grid, $\underline{Z}_{S,k}$, HV/MV and MV/LV transformers, $\underline{Z}_{T,k}$, MV underground cables, $\underline{Z}_{L,k}$, and high frequency filters, $\underline{Z}_{Cf,k}$, must be modelled. These impedances are obtained as follows [6], [7], [10]:

$$\begin{aligned}
 \underline{Z}_{S,k} &= \frac{U_o^2}{S_S} \frac{1}{\sqrt{1 + \tan^2 \varphi_S}} (1 + jk \tan \varphi_S) \\
 \underline{Z}_{T,k} &= \varepsilon_{cc} \frac{U_{N,s}^2}{S_N} \frac{1}{\sqrt{1 + \tan^2 \varphi_{cc}}} (1 + jk \tan \varphi_{cc}) \\
 \underline{Z}_{L,k} &= \underline{Z}_{Lx,k} \frac{\sinh(\underline{\gamma}_{x,k} D)}{\underline{\gamma}_{x,k}} \quad \underline{Y}_{C,k} = \underline{Y}_{Cx,k} \frac{\tanh(D \underline{\gamma}_{x,k} / 2)}{\underline{\gamma}_{x,k} / 2} \\
 \underline{Z}_{Cf,k} &= -j \frac{1}{C_f k \omega_1},
 \end{aligned} \tag{1}$$

where $k = f_k/f_1$ (with f_k and f_1 being the analysed harmonic frequency and the main grid fundamental frequency, respectively), $\omega_1 = 2\pi \cdot f_1$ and, according to Fig. 1(a),

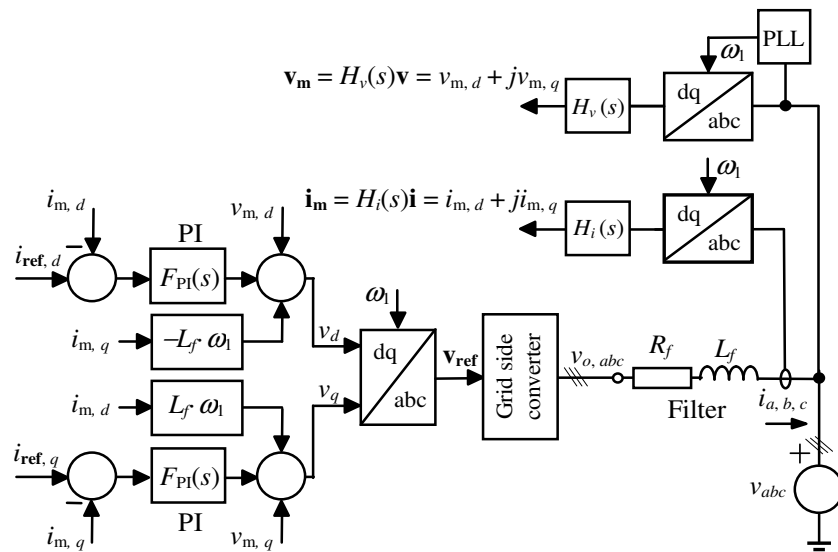
- U_o , S_S and $\tan \varphi_S$ are the main grid open-circuit voltage, short-circuit power and X_S/R_S ratio at the point of coupling.

Table 1 Offshore wind power plant parameters

Main grid	U_o	150 kV	Wind turbine $P_{WT,N} = 5$ MW $U_{WT,N} = 690$ V	f_s	5 kHz
	f_i	50 Hz		R_f, L_f	0.0075 mΩ, 0.05 mH
	S_S	2500 MVA		C_f	1000 μF
	$\tan\phi_S$	20 pu		$\tau_c = 1/\alpha_c$	1 ms
HV/MV transformers	$U_{N,H}/U_{N,M}$	150/33 kV	MV/LV transformer	$U_{N,M}/U_{N,L}$	33/0.69 kV
	S_N	125 MVA		S_N	5 MVA
	ϵ_{cc}	0.1 pu		ϵ_{cc}	0.05 pu
	$\tan\phi_{cc}$	12 pu		$\tan\phi_{cc}$	12 pu
HV submarine cable	R_x	0.032 Ω/km	MV submarine cable	R_x	0.041 Ω/km
	L_x	0.401 mH/km		L_x	0.38 mH/km
	C_x	0.21 μF/km		C_x	0.23 μF/km
	D	1 to 50 km		D	0.5 to 1 km

- $U_{N,p}/U_{N,s}$, S_N , ϵ_{cc} and $\tan\phi_{cc}$ are the HV/MV and MV/LV transformer rated primary/secondary voltages and power, per-unit short-circuit impedance and X_T/R_T ratio.
- $\mathcal{X}_{x,k} = (Z_{Lx,k} Y_{Cx,k})^{1/2}$ is the propagation constant of the cable, $Z_{Lx,k} = R_x + jL_x k \omega_1$ and $Y_{Cx,k} = jC_x k \omega_1$ are the HV and MV cable distributed parameters and D is the cable length.
- C_f is the WT high frequency filter capacitor.

Table 1 shows usual offshore WPP parameter values. The WT harmonic model as an ideal current source ($\underline{Z}_{WT,k} = \infty$ in Fig. 1(b)) is typically chosen to perform resonance analysis in harmonic penetration studies because it is only necessary to replace the current sources by an open-circuit at WT terminals [1], [7], [8] – [12]. However, some works point out that this model might not be accurate due to the possible influence of VSC control on resonances [6], [8], [10], [13]. Therefore, WT harmonic models such as

**Fig. 2.** General structure for VSC current control in synchronous (or d - q) reference frame

Norton equivalent sources are currently proposed for WPP harmonic studies (in particular, resonance studies).

3. Harmonic model of wind turbines

WT VSC control is investigated to determine the equivalent harmonic impedance $\underline{Z}_{WT,k}$ of Norton sources, which model WT harmonic behaviour. This frequency-dependent model should be used in frequency scan studies to consider the influence of WT VSC control on resonance frequencies.

3.1. Expressions of WT equivalent harmonic impedance in balanced conditions

The WT grid side converter with a filter $Z_f(s) = R_f + L_f s$ and current control in synchronous (or $d-q$) reference frame are shown in Fig. 2. It must be noted that the converter model in this Section only represents the inner current control loop because the outer loops (e.g., the phase-locked loop, PLL, and the direct-voltage controller, DVC) do not affect WPP harmonic response in the 0.5 kHz to 1.5 kHz frequency range due to their low bandwidths [9]. This assumption allows a VSC symmetrical model that can be characterised with complex impedances or admittances to be obtained. However, the consideration of outer control loops complicates this model unnecessarily, and therefore the WPP harmonic response study. It can be observed that the transfer matrices of the VSC models in [16] and [22] become the common diagonal matrices of the VSC inner current control loop for frequencies greater than the low bandwidths of the outer control loops. The space phasors are denoted by boldface letters in the study and their components by subscripts d and q (e.g., $\mathbf{x} = x_d + j \cdot x_q$). The voltage balance across the filter using $d-q$ complex space phasors in continuous-time s domain is

$$(R_f + L_f s + jL_f \omega_1) \mathbf{i} + \mathbf{v} = \mathbf{v}_o, \quad (2)$$

where \mathbf{v} is the grid voltage of fundamental angular frequency $\omega_1 = 2\pi \cdot f_1$, \mathbf{i} is the line current and \mathbf{v}_o is the VSC terminal voltage. The converter voltage reference can be determined as

$$\mathbf{v}_{\text{ref}} = F_{\text{PI}}(s) (\mathbf{i}_{\text{ref}} - H_i(s) \mathbf{i}) + jL_f \omega_1 H_i(s) \mathbf{i} + H_v(s) \mathbf{v}. \quad (3)$$

The voltage \mathbf{v}_o generated by the VSC and the converter voltage reference \mathbf{v}_{ref} are commonly related to the transfer function of converter time delay $D(s)$ (i.e., $\mathbf{v}_o = D(s) \cdot \mathbf{v}_{\text{ref}}$). A negligible converter time delay (i.e., $D(s) = 1$, and therefore $\mathbf{v}_o = \mathbf{v}_{\text{ref}}$) is considered in the below characterisation of the WT equivalent harmonic impedances, but the influence of this delay on the impedances is discussed in Subsection 3.4.2. In (3), \mathbf{i}_{ref} is the converter reference current, and a feedback of the line current through a PI controller with transfer function $F_{\text{PI}}(s)$ is used:

$$F_{\text{PI}}(s) = K_p + \frac{K_i}{s}, \quad (4)$$

where K_p and K_i are the PI control proportional and integral gains, respectively. Moreover, the influence of feedback and feedforward signal filtering on measured line current and grid voltage signals is also considered through low-pass filter transfer functions $H_i(s)$ and $H_v(s)$ [14], [16]:

$$H_x(s) = \frac{\mathbf{x}_m}{\mathbf{x}} = \frac{\alpha_{fx}}{s + \alpha_{fx}} \quad (\mathbf{x} = \mathbf{i}, \mathbf{v}), \quad (5)$$

where \mathbf{x} represents the line current and grid voltage signals, \mathbf{x}_m represents the output filters and α_{fx} is the bandwidth of the low-pass filters. For high bandwidths, \mathbf{x} is unfiltered (i.e., $H_x(s) \approx 1$, and therefore $\mathbf{x}_m \approx \mathbf{x}$). For low bandwidths, \mathbf{x} is completely filtered (i.e., $H_x(s) \approx 0$, and therefore $\mathbf{x}_m \approx \mathbf{0}$). Based on [16], the control design results in $K_p = \alpha_c L_f$ and $K_i = \alpha_c R_f$, where α_c is the current controller bandwidth. This bandwidth should verify $\alpha_c \leq 0.2 \cdot (2\pi f_s)$, with f_s being the converter switching frequency, which is usually above 1 kHz for modern VSCs [16]. The recommended bandwidth of the grid voltage low-pass filter is $\alpha_{fv} \leq 0.1 \alpha_c$ for normal-mode operation and $\alpha_{fv} \geq \alpha_c$ for transient-mode operation. The bandwidth of the line current feedback low-pass filter is supposed to be large enough compared with the current controller bandwidth to ensure that the filter does not affect the controller response. A line current low-pass filter bandwidth five times higher than the current controller bandwidth is considered in the study (i.e., $\alpha_{fi} \geq 5 \alpha_c$).

The WT equivalent harmonic impedance can be obtained by considering the d - q complex space phasor expressions of three-phase non-sinusoidal quantities in balanced conditions (see Appendix 1) and combining the voltage balance across the filter (2) and the converter voltage reference (3) in frequency domain. By relating (2) and (3) by means of converter time delay, the following expression is obtained:

$$(R_f + L_f s + jL_f \omega_1) \mathbf{i} + \mathbf{v} = D(s) \left(F_{\text{PI}}(s) (\mathbf{i}_{\text{ref}} - H_i(s) \mathbf{i}) + jL_f \omega_1 H_i(s) \mathbf{i} + H_v(s) \mathbf{v} \right), \quad (6)$$

which can be arranged as

$$\mathbf{v} (1 - D(s) H_v(s)) = D(s) F_{\text{PI}}(s) \mathbf{i}_{\text{ref}} - (R_f + L_f s + jL_f \omega_1 + D(s) H_i(s) (F_{\text{PI}}(s) - jL_f \omega_1)) \mathbf{i}. \quad (7)$$

Considering that the positive- ($k = 4, 7 \dots$) and negative- ($k = 2, 5 \dots$) sequence harmonic phasors of balanced three-phase non-sinusoidal voltages and currents, \underline{X}_k (with $X = V$ or I), are expressed in d - q frame as the following complex space phasors (Appendix 1):

- Positive sequence components: $\mathbf{x} = x_d + jx_q = \underline{X}_k \cdot e^{j(k-1)\omega_1 t}$ for $k = 4, 7 \dots$

- Negative sequence components: $\mathbf{x} = x_d - jx_q = \underline{X}_k^* \cdot e^{-j(k+1)\omega_1 t}$ for $k = 2, 5, \dots$

the transformations $s \rightarrow (k-1)\omega_1$ for the positive-sequence components (\underline{X}_k with $k = 4, 7, \dots$) and $s \rightarrow -(k+1)\omega_1$ for the negative-sequence components (\underline{X}_k with $k = 2, 5, \dots$) are applied to express (7) in harmonic steady state, i.e.,

$$\begin{aligned} \underline{V}_k (1 - \underline{D}_h \underline{H}_{v,h}) &= \underline{D}_h \underline{F}_{PI,h} \underline{I}_{refk} + (R_f + jL_f h \omega_1 + jL_f \omega_1 + \underline{D}_h \underline{H}_{i,h} (\underline{F}_{PI,h} - jL_f \omega_1)) (-\underline{I}_k) \quad (h = k-1) \\ \underline{V}_k^* (1 - \underline{D}_h \underline{H}_{v,h}) &= \underline{D}_h \underline{F}_{PI,h} \underline{I}_{refk} + (R_f + jL_f h \omega_1 + jL_f \omega_1 + \underline{D}_h \underline{H}_{i,h} (\underline{F}_{PI,h} - jL_f \omega_1)) (-\underline{I}_k^*) \quad (h = -(k+1)), \end{aligned} \quad (8)$$

where

- \underline{V}_k , \underline{I}_k and \underline{I}_{refk} are the k^{th} harmonic phasors of the grid voltage \mathbf{v} , line current \mathbf{i} and converter reference current \mathbf{i}_{ref} (superscript * indicates complex conjugate).
- $\underline{F}_{PI,h}$, $\underline{H}_{i,h}$ and $\underline{H}_{v,h}$ represent the frequency response of the PI controller and feedback and feedforward low-pass filters, which are obtained by setting $s \rightarrow jh\omega_1$ in their corresponding transfer functions (4) and (5), i.e.,

$$\begin{aligned} \underline{F}_{PI,h} &= \underline{F}_{PI}(jh\omega_1) = K_p + \frac{K_i}{jh\omega_1} = K_p - j \frac{K_i}{h\omega_1} \\ \underline{H}_{x,h} &= \underline{H}_x(jh\omega_1) = \frac{\alpha_{fx}}{jh\omega_1 + \alpha_{fx}} = \frac{\alpha_{fx,r}}{jh + \alpha_{fx,r}} \quad \alpha_{fx,r} = \frac{\alpha_{fx}}{\omega_1} \quad (x = i, v). \end{aligned} \quad (9)$$

Note that $H_{x,h}(s) \approx 1$ for high bandwidths, with $\alpha_{fx,r} \gg h$, and $H_{x,h}(s) \approx 0$ for low bandwidths, with $\alpha_{fx,r} \ll h$ (e.g., $\alpha_{fx,r} \approx 1$).

- \underline{D}_h represents the frequency response of converter time delay, which is considered negligible in the below study, i.e., $\underline{D}_h = 1$.

Considering (8) and assuming that the harmonic phasors of the converter reference current are equal to zero (i.e., $\underline{I}_{refk} = 0$), the WT equivalent harmonic impedance is obtained from the ratio of the grid voltage and line current phasors, i.e., $\underline{Z}_{WT,k} = R_{WT,k} + jX_{WT,k} = \underline{V}_k / (-\underline{I}_k)$, where the negative sign is due to the current direction definition outside the converter. Thus, the WT equivalent harmonic impedance of the positive-sequence harmonic components becomes

$$\underline{Z}_{WT,pk} = \frac{R_f + jL_f (h+1)\omega_1 + \underline{H}_{i,h} (\underline{F}_{PI,h} - jL_f \omega_1)}{1 - \underline{H}_{v,h}} \quad (h = k-1 \quad ; \quad k = 4, 7 \dots), \quad (10)$$

and, according to (36), the WT equivalent harmonic impedance for the negative-sequence harmonic components in (8) corresponds to the conjugate expression of the WT equivalent harmonic impedance for the positive-sequence harmonic components, with $h = -(k+1)$. The above WT equivalent impedances are

obtained for the typical one-cascade control loop in Fig. 2. Other converter control structures lead to different WT Norton equivalent impedances which could be characterised by the same procedure. In the following Subsections, the WT equivalent harmonic impedance in (10) is determined in three successive steps from the simplest to the most complex case to enhance the clarity of the study and analyse the impact of WT VSC control on the equivalent impedance.

3.1.1. Unfiltered line current and grid voltage (case A): This study is restricted to the simplest control, where the line current and grid voltage harmonics are unfiltered (i.e., $H_{x,h} \approx 1$ for $x = i, v$). In this case, the positive-sequence harmonic component expression in (8) can be rewritten as follows:

$$0 = (R_f + jL_f \omega_1 h + \underline{F}_{PI,h})(-\underline{I}_k) \quad (h = k-1 \quad ; \quad k = 4, 7 \dots), \quad (11)$$

which implies that the k^{th} harmonic phasors \underline{I}_k of the WT line currents for the positive-sequence are equal to zero, and therefore the WT equivalent harmonic impedance becomes $\underline{Z}_{WT,k}^{(A)} = \infty$ ($k = 4, 7 \dots$). This is also true for the negative-sequence harmonic components ($k = 2, 5 \dots$). In this way, the d - q reference frame control with unaffected feedback and feedforward grid signals can be modelled for the positive- and negative-sequence harmonic components as the typical ideal harmonic current source used in the literature.

3.1.2. Unfiltered line current (case B): In this case, the line current harmonics are unfiltered and the grid voltage harmonics are filtered (i.e., $H_{i,h} \approx 1$ and $0 \leq H_{v,h} < 1$). The positive-sequence harmonic component expression in (8) can be rewritten as follows:

$$\underline{V}_k(1 - \underline{H}_{v,h}) = (R_f + jL_f \omega_1 h + \underline{F}_{PI,h})(-\underline{I}_k) \quad (h = k-1 \quad ; \quad k = 4, 7 \dots), \quad (12)$$

and the WT equivalent harmonic impedance of the positive-sequence harmonic components becomes

$$\underline{Z}_{WT,pk}^{(B)} = \frac{R_f + jL_f h \omega_1 + \underline{F}_{PI,h}}{1 - \underline{H}_{v,h}} = R_f + K_p + \alpha_{fv,r} \left(L_f \omega_1 - \frac{K_i}{h^2 \omega_1} \right) + j \left(L_f \omega_1 h - \frac{K_i}{h \omega_1} - \frac{\alpha_{fv,r}}{h} (R_f + K_p) \right) \quad (13)$$

$(h = k-1).$

The WT equivalent harmonic impedance of the negative-sequence harmonic components ($k = 2, 5 \dots$) corresponds to the conjugate expression of the positive-sequence WT equivalent harmonic impedance (13), with $h = -(k+1)$.

If the grid voltage harmonics are completely filtered (i.e., $\alpha_{fv,r}$ is small enough for $\underline{H}_{v,h} \approx 0$), the WT equivalent harmonic impedance for the positive- and negative-sequences in (13) becomes

$$\underline{Z}_{WT,k}^{(B)} = R_f + K_p + j \cdot \begin{cases} L_f \cdot h \cdot \omega_1 - \frac{K_i}{h \cdot \omega_1} & (h = k-1 ; k = 4, 7 \dots) \\ \frac{K_i}{h \cdot \omega_1} & (h = k+1 ; k = 2, 5 \dots) \end{cases} \quad (14)$$

3.1.3. *Filtered line current and grid voltage (case C)*: In this case, the line current and the grid voltage harmonics are filtered. The currents are filtered with a bandwidth five times greater than the current controller bandwidth (i.e., $\alpha_{fi} \geq 5\alpha_c$, and therefore $\alpha_{fi,r} \geq 15$), while the voltages can be completely filtered

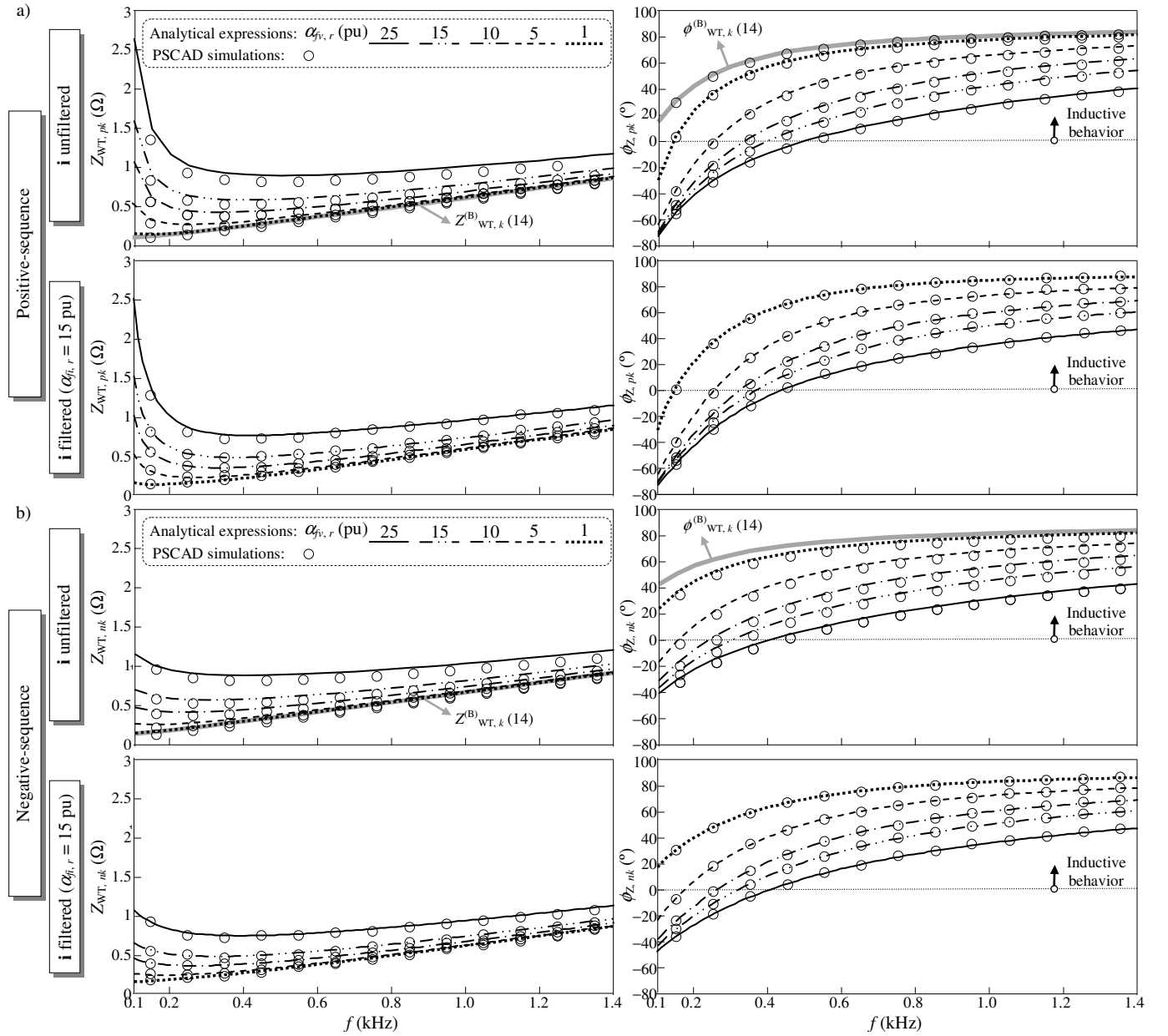


Fig. 3. Magnitude (left) and phase angle (right) of the WT equivalent harmonic impedance (data in Table 1 and $D(s) = 1$)
a Positive sequence
b Negative sequence

(i.e., $0 \leq H_{v,h} < 1$). The positive-sequence harmonic component expression in (8) can be rewritten as

$$\underline{V}_k(1 - \underline{H}_{v,h}) = (R_f + jL_f(h+1)\omega_1 + \underline{F}_{Pl,h}\underline{H}_{i,h} - jL_f\omega_1\underline{H}_{i,h})(-\underline{I}_k) \quad (h = k-1 \ ; \ k = 4, 7 \dots), \quad (15)$$

and the WT equivalent harmonic impedance of the positive-sequence harmonic components in (10) is obtained, which can be arranged as

$$\underline{Z}_{WT,pk}^{(C)} = \frac{hA_k + \alpha_{fv,r}B_k + j(hB_k - \alpha_{fv,r}A_k)}{h(\alpha_{fi,r}^2 + h^2)} \quad (h = k-1), \quad (16)$$

where

$$\begin{aligned} A_k &= R_f(\alpha_{fi,r}^2 + h^2) + \alpha_{fi,r}^2 K_p - \alpha_{fi,r} \left(L_f h \omega_1 + \frac{K_i}{\omega_1} \right) \\ B_k &= h(L_f h(h+1)\omega_1 - \alpha_{fi,r} K_p) + \alpha_{fi,r}^2 \left(L_f h \omega_1 - \frac{K_i}{h\omega_1} \right). \end{aligned} \quad (17)$$

The WT equivalent harmonic impedance of the negative-sequence harmonic components ($k = 2, 5 \dots$) corresponds to the conjugate expression of the positive-sequence WT equivalent harmonic impedance (16), with $h = -(k+1)$. The WT equivalent harmonic impedances in Subsections 3.1.1 and 3.1.2 can be derived from (16).

3.2. Validation of the WT equivalent harmonic impedance

Considering the data in Table 1, Fig. 3 shows the magnitude and phase angle results of the WT equivalent harmonic impedance obtained from the analytical expressions in (16), i.e.,

$$\underline{Z}_{WT,k}^{(C)} = Z_{WT,k} e^{j\phi_{WT,k}} = \frac{\sqrt{(\alpha_{fv,r}^2 + h^2)(A_k^2 + B_k^2)}}{h(\alpha_{fi,r}^2 + h^2)} e^{j \tan^{-1} \left(\frac{hB_k - \alpha_{fv,r}A_k}{hA_k + \alpha_{fv,r}B_k} \right)}. \quad (18)$$

The results in Fig. 3 are in agreement with [9], [15], [17], [18], [23]. In order to validate the accuracy of the analytical study, a PSCAD frequency scan is numerically performed on the WT grid side converter in Fig. 2. This frequency scan is obtained by applying the following steps:

- A small voltage disturbance (e.g., 0.1 pu) at a certain frequency is applied to the supply voltage of the WT grid side converter.
- The steady state voltage and current values of one phase are measured and the harmonic components of the disturbance frequency are obtained.
- The impedance of the circuit at the disturbance frequency is calculated from the above harmonic

voltage and current values.

The results are shown with dots in Fig. 3, where only the dominant harmonics in WPPs (i.e., $k = 7, 13 \dots$ for the positive-sequence and $k = 5, 11 \dots$ for the negative-sequence) are plotted for the sake of clarity. The above results could be comparable to the equivalent impedance characterised in [15], [17], [18] for stability studies. However, the present study only focuses on the harmonic frequencies of WT emissions, which allows simpler expressions for discussing the impact of WT VSC control on WPP resonances to be obtained. Fig. 3 shows that the WT equivalent harmonic impedance (in particular, its resistive component) is mainly affected by the grid voltage low-pass filter bandwidth while the impact of the line current low-pass filter bandwidth is small. The details of these influences are analysed in the next Sections. The WT grid side converter harmonic currents in the PSCAD simulations of the unfiltered control case (case A) are equal to zero, which agrees with $\underline{z}_{WT, k}^{(A)} = \infty$.

Experimental validation is out of the scope of the paper because access to actual WTs to perform measurements was not possible. However, WT equivalent harmonic impedance could be measured by one of the three impedance measurement methods proposed in [23]. These methods are similar to the numerical procedure applied in the PSCAD frequency scan. A frequency response analyser is used to supply VSC with a small voltage disturbance at a specific frequency and the positive- and negative-sequence components of the VSC impedance are obtained from measurements of two-phase currents and voltage disturbance. Subsequently, symmetrical transformation is applied to the measurements to obtain the sequence components of the WT equivalent harmonic impedances. According to [17] and [18], measurements allow analytical and numerical results to be validated.

3.3. Simplified expressions of the WT equivalent harmonic impedance

Simplified expressions of the WT positive- and negative-sequence equivalent harmonic impedance are obtained when the currents are unfiltered and filtered. The simplifications consider that the filter resistance R_f and the PI control integral gain $K_i = \alpha_c R_f$ can be neglected because of their small value [14], [15]. The relation between the filter inductance and the PI control proportional gain, $K_p = \alpha_c L_f$, is also considered to obtain more compact expressions.

3.3.1. Unfiltered line currents: The WT positive- and negative-sequence equivalent harmonic impedance can be approximated from (13) as

$$\underline{Z}_{WT,k} \approx K_p + L_f \alpha_{fv,r} \omega_1 + j \left(L_f h \omega_1 - \frac{\alpha_{fv,r}}{h} K_p \right) = L_f (\alpha_c + \alpha_{fv}) + j L_f \left(h \omega_1 - \frac{\alpha_{fv} \alpha_c}{h \omega_1} \right) \quad (19)$$

($h = k - 1 ; k = 4, 7 \dots$ and $h = k + 1 ; k = 2, 5 \dots$).

The WT equivalent harmonic impedance in (19) shows an inductive behaviour (see unfiltered cases in Fig. 3) for frequencies above f_{lm} :

$$\text{Im}\{\underline{Z}_{WT,k}\} = h \omega_1 - \frac{\alpha_{fv} \alpha_c}{h \omega_1} > 0 \quad \Rightarrow \quad f > f_{lm} = f_1 + \frac{\sqrt{\alpha_c \alpha_{fv}}}{2\pi}, \quad (20)$$

and this impedance can be approximated as follows:

$$\underline{Z}_{WT,k} \approx L_f (\alpha_c + \alpha_{fv}) + j L_f k \omega_1 \quad (k = 4, 7 \dots \text{ and } k = 2, 5 \dots). \quad (21)$$

Therefore, the WT equivalent harmonic impedance when the line current is unfiltered is always passive with a positive resistance affected by the current control and grid voltage low-pass filter bandwidths (α_c and α_{fv}). Moreover, for frequencies above f_{lm} , the imaginary part of this impedance can be simplified as an inductance approximately equal to the filter inductance of the grid-side converter. The frequency f_{lm} is usually below 500 Hz for typical WT parameters (Table I).

3.3.2. Filtered line currents: The WT positive- and negative-sequence equivalent harmonic impedance can be approximated from (16) as

Table 2 Simplified expressions of the WT equivalent harmonic impedance $\underline{Z}_{WT,k} = R_{WT,k} + jX_{WT,k}$ ($f_{lm} < 1$ kHz) without considering converter time delay ($D(s) = 1$)

Line current, i	Unfiltered		Filtered		
	$< f_{lm}$	$> f_{lm}$	$< f_{lm}$	$] f_{lm}, 1[$	> 1
$X_{WT,k} (\Omega)$	$L_f \left(h \omega_1 - \frac{\alpha_{fv} \alpha_c}{h \omega_1} \right)$ (19)	$L_f k \omega_1$ (21)	$L_f \left(h \omega_1 - \frac{\alpha_{fv,r} \alpha_c}{h \omega_1} \right)$ (22)	$L_f h \omega_1$ (24)	$L_f k \omega_1$ (25)
$R_{WT,k} (\Omega)$	$L_f (\alpha_c + \alpha_{fv})$ (19), (21)		$\frac{R_{WTa,k}}{\alpha_{fv,r}^2 + h^2}$ (22), (24)		$L_f \alpha_{fv}$ (25)

Notes:

- $h = k - 1 ; k = 4, 7 \dots$ and $h = k + 1 ; k = 2, 5 \dots$
- $R_{WTa,k}$ (23)

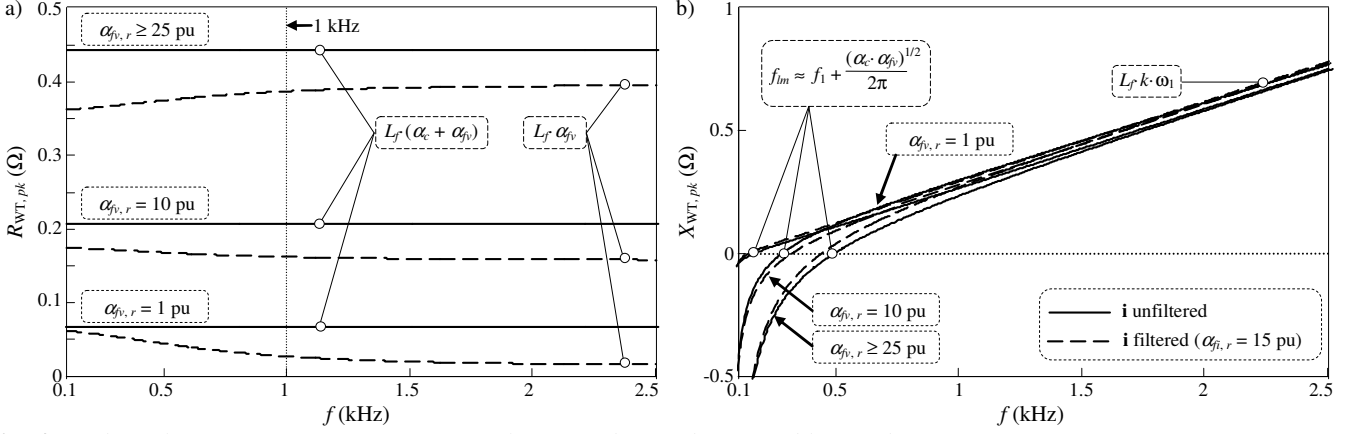


Fig. 4. Study of the WT positive-sequence equivalent impedance (data in Table 1 and $D(s) = 1$)

a WT equivalent resistance
b WT equivalent reactance

$$\underline{Z}_{WT,k} \approx \frac{R_{WTa,k}}{\alpha_{fi,r}^2 + h^2} + j \left(L_f h \omega_1 - \frac{\alpha_{fv,r}}{h} K_p \right) = \frac{R_{WTa,k}}{\alpha_{fi,r}^2 + h^2} + j L_f \left(h \omega_1 - \frac{\alpha_{fv,r} \alpha_c}{h \omega_1} \right) \quad (22)$$

$(h = k - 1 ; k = 4, 7 \dots \text{ and } h = k + 1 ; k = 2, 5 \dots),$

with

$$R_{WTa,k} = \begin{cases} L_f (\alpha_c \alpha_{fi,r} (\alpha_{fi,r} - \alpha_{fv,r}) + (k-1) \omega_1 (\alpha_{fv,r} k - \alpha_{fi,r}) + \alpha_{fv,r} \alpha_{fi,r}^2 \omega_1) & (k = 4, 7 \dots) \\ L_f (\alpha_c \alpha_{fi,r} (\alpha_{fi,r} - \alpha_{fv,r}) + (k+1) \omega_1 (\alpha_{fv,r} k + \alpha_{fi,r}) + \alpha_{fv,r} \alpha_{fi,r}^2 \omega_1) & (k = 2, 5 \dots) \end{cases} \quad (23)$$

For frequencies above f_{lm} , the imaginary part of the impedance can be approximated as an inductance, similarly to the unfiltered case, i.e.,

$$\underline{Z}_{WT,k} \approx \frac{R_{WTa,k}}{\alpha_{fi,r}^2 + h^2} + j L_f k \omega_1 \quad \begin{matrix} (h = k - 1 ; k = 4, 7 \dots) \\ (h = k + 1 ; k = 2, 5 \dots) \end{matrix} \quad (24)$$

and, for frequencies above 1 kHz (i.e., $k > 20$), (24) can be approximated as follows:

$$\underline{Z}_{WT,k} \approx \frac{L_f (k \omega_1 \alpha_{fv,r} k + \alpha_{fv,r} \alpha_{fi,r}^2 \omega_1)}{\alpha_{fi,r}^2 + k^2} + j L_f k \omega_1 = L_f \alpha_{fv} + j L_f k \omega_1 \quad (k = 4, 7 \dots \text{ and } k = 2, 5 \dots), \quad (25)$$

where the resistance $R_{WTa,k}$ in (21) tends to $L_f \alpha_{fv}$, which is graphically verified in Subsection 3.3.3.

3.3.3. Summary of expressions: Considering $f_{lm} < 1$ kHz, Table 2 summarises the expressions proposed for the WT equivalent harmonic impedance. In order to check these expressions, Fig. 4 shows the positive-sequence WT equivalent resistance and reactance ($R_{WT,k}$ and $X_{WT,k}$ with $k = 4, 7 \dots$) for unfiltered and filtered ($\alpha_{fi,r} = 15$ pu) line current and different $\alpha_{fv,r}$ values. The resistance is equal to $L_f (\alpha_c + \alpha_{fv})$ in the

unfiltered case whereas it becomes $L_f\alpha_{fv}$ for frequencies above 1 kHz in the filtered case. It is also observed that the reactance tends to $L_f\omega_1$ for frequencies above f_{im} in both unfiltered and filtered cases.

3.4. Influence of unbalanced voltage conditions and converter time delay

The impact of unbalanced voltage conditions and converter time delay on WT equivalent harmonic impedance is analysed in the following Subsections.

3.4.1. Unbalanced voltage conditions: Like in balanced conditions, the positive- and negative-sequence WT equivalent harmonic impedance can be obtained by combining (2) and (3) in frequency domain and considering that the d - q complex space phasors of three-phase non-sinusoidal voltages in unbalanced conditions contain positive- and negative-sequence components for all harmonics (34). Thus, the expressions of the WT equivalent harmonic impedance in unbalanced conditions are the same as in balanced conditions, except that the positive- and negative-sequence must be considered for all harmonics ($k > 1$) instead of the positive-sequence impedance for $k = 4, 7\dots$ and the negative for $k = 2, 5\dots$

Another effect of unbalanced supply voltages is that the negative-sequence component of the fundamental d - q space phasor has a second harmonic oscillation, i.e., the negative-sequence component is translated to twice the fundamental frequency (34), which can affect grid synchronisation of the PLL. This can lead to coupling equivalent harmonic impedances $\underline{Z}_{WT, pk}$ between positive- and negative-sequence voltages and currents [18], [23]. However, these harmonic coupling terms can be neglected for typical PLL designs not exceeding a few tens of hertz [18].

3.4.2. Converter time delay: Converter time delay between the voltage \mathbf{v}_o generated by the VSC and the converter voltage reference \mathbf{v}_{ref} is typically considered as $D(s) = e^{-sT_d}$, where T_d is the time delay [14]. This time delay is approximately composed of one sampling period of computation delay and half a sampling period of modulation delay (i.e., switching process) and is given by $T_d \approx 1.5T_s$, with $T_s = 1/f_s$ and f_s being the converter switching frequency. Considering the above time delay, the WT equivalent harmonic impedance of the positive-sequence harmonic components in (10) is rewritten as

$$\underline{Z}_{WT, pk}^{(D)} = \frac{R_f + jL_f(h+1)\omega_1 + \underline{D}_h \underline{H}_{i,h} (\underline{F}_{PI,h} - jL_f\omega_1)}{1 - \underline{D}_h \underline{H}_{v,h}} \quad (h = k-1 ; k = 4, 7), \quad (26)$$

where

$$\underline{D}_h = e^{-jh\omega_1 T_d} = D_{Rh} - jD_{Ih} \quad D_{Rh} = \cos(h\omega_1 T_d) \quad D_{Ih} = \sin(h\omega_1 T_d). \quad (27)$$

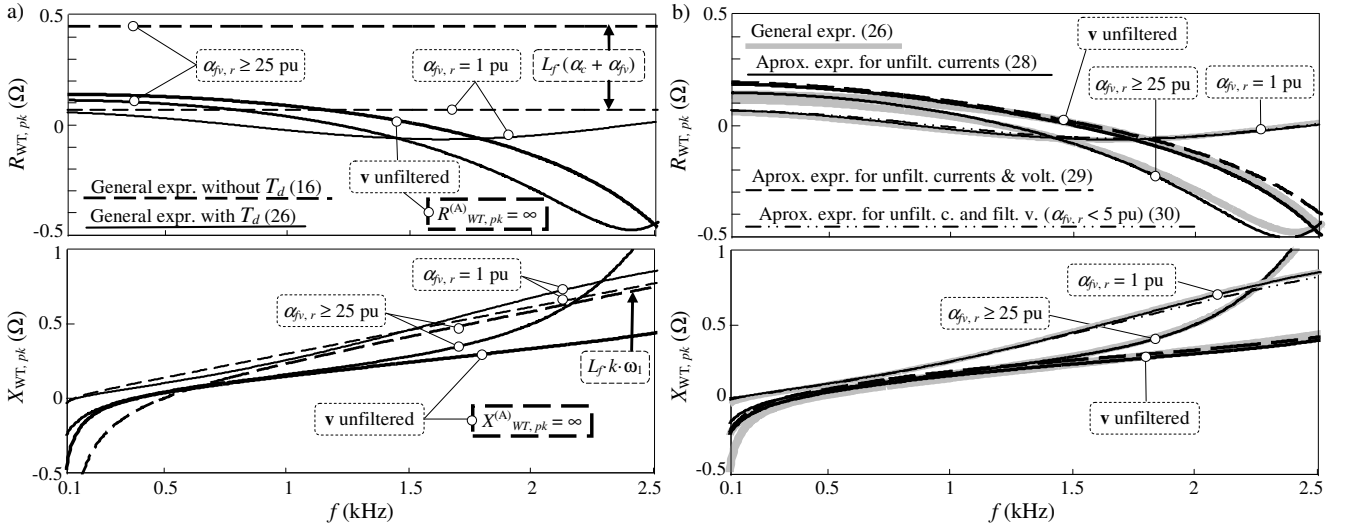


Fig. 5. Study of the WT positive-sequence equivalent resistance (up) and reactance (down) with unfiltered line currents (data in Table 1)

a Comparison between equivalent impedances without and with converter time delay ($D(s) = 1$ and $D(s) = e^{-sT_d}$, respectively)
b Comparison between general and approximate equivalent impedances with converter time delay ($D(s) = e^{-sT_d}$)

Simplified expressions of the WT equivalent harmonic impedance (26) are difficult to obtain due to the addition of converter time delay. However, approximate expressions can be obtained in some conditions related to line current and grid voltage filtering.

In the case of unfiltered line currents (case B in Subsection 3.1.2), the following approximate positive-sequence harmonic components of the equivalent impedances can be determined from (26):

$$\underline{Z}_{WT,k} \approx R_{WT,k} + jX_{WT,k} \quad (h = k - 1 ; k = 4, 7)$$

$$R_{WT,k} = L_f \left(\frac{h\omega_1((\alpha_{fv} + \alpha_c)h\omega_1 D_{Rh} + \alpha_{fv}^2 D_{lh}) + \alpha_{fv}^2 \alpha_c (D_{Rh} - 1)}{\alpha_{fv}^2 (1 - D_{Rh})^2 + (h\omega_1 + \alpha_{fv} D_{lh})^2} \right) \quad (28)$$

$$X_{WT,k} = L_f \left(\frac{h^3 \omega_1^3 + h^2 \omega_1^2 (\alpha_{fv} - \alpha_c) D_{lh} + h\omega_1 \alpha_{fv} (\alpha_{fv} (1 - D_{Rh}) - \alpha_c) - \alpha_{fv}^2 \alpha_c D_{lh}}{\alpha_{fv}^2 (1 - D_{Rh})^2 + (h\omega_1 + \alpha_{fv} D_{lh})^2} \right).$$

If the grid voltage harmonics are unfiltered (i.e., $H_{v,h} \approx 1$), (28) can be simplified as

$$\underline{Z}_{WT,k} \approx L_f \frac{\alpha_c (D_{Rh} - 1) + h\omega_1 D_{lh}}{2(1 - D_{Rh})} + jL_f \left(\frac{h\omega_1}{2} + \frac{\alpha_c D_{lh}}{2(1 - D_{Rh})} \right) \quad (h = k - 1 ; k = 4, 7), \quad (29)$$

where, according to Subsection 3.1.1, the WT equivalent harmonic impedance becomes $\underline{Z}_{WT,k}^{(A)} = \infty$ ($k = 4, 7 \dots$) when the time delay is equal to zero (i.e., $D_{Rh} = 1$ and $D_{lh} = 0$).

If the grid voltage harmonics are filtered with a low bandwidth (approximately, $\alpha_{fv,r} < 5$), (28) can be simplified as

$$\underline{Z}_{WT,k} \approx L_f(\alpha_c + \alpha_{fv})D_{Rh} + jL_f h^2 \omega_1^2 \frac{h\omega_1 + (\alpha_{fv} - \alpha_c)D_{lh}}{h^2 \omega_1^2 + 2\alpha_{fv} h\omega_1 D_{lh}} \quad (h = k-1 ; k = 4, 7), \quad (30)$$

where, according to Subsection 3.3.1, the WT equivalent harmonic impedance becomes (21) when the time delay is equal to zero (i.e., $D_{Rh} = 1$ and $D_{lh} = 0$).

The WT equivalent harmonic impedances of the negative-sequence harmonic components ($k = 2, 5 \dots$) correspond to the conjugate expression of the positive-sequence WT equivalent harmonic impedances, with $h = -(k + 1)$.

In order to study the impact of converter time delay on the WT equivalent harmonic impedance and analyse the accuracy of the previous expressions, Fig. 5 shows the positive-sequence WT equivalent resistance and reactance ($R_{WT,k}$ and $X_{WT,k}$ with $k = 4, 7 \dots$) for unfiltered line currents and three feedforward grid voltage cases (filtered grid voltage with $\alpha_{fv,r} = 1$ pu or $\alpha_{fv,r} = 25$ pu and unfiltered grid voltage).

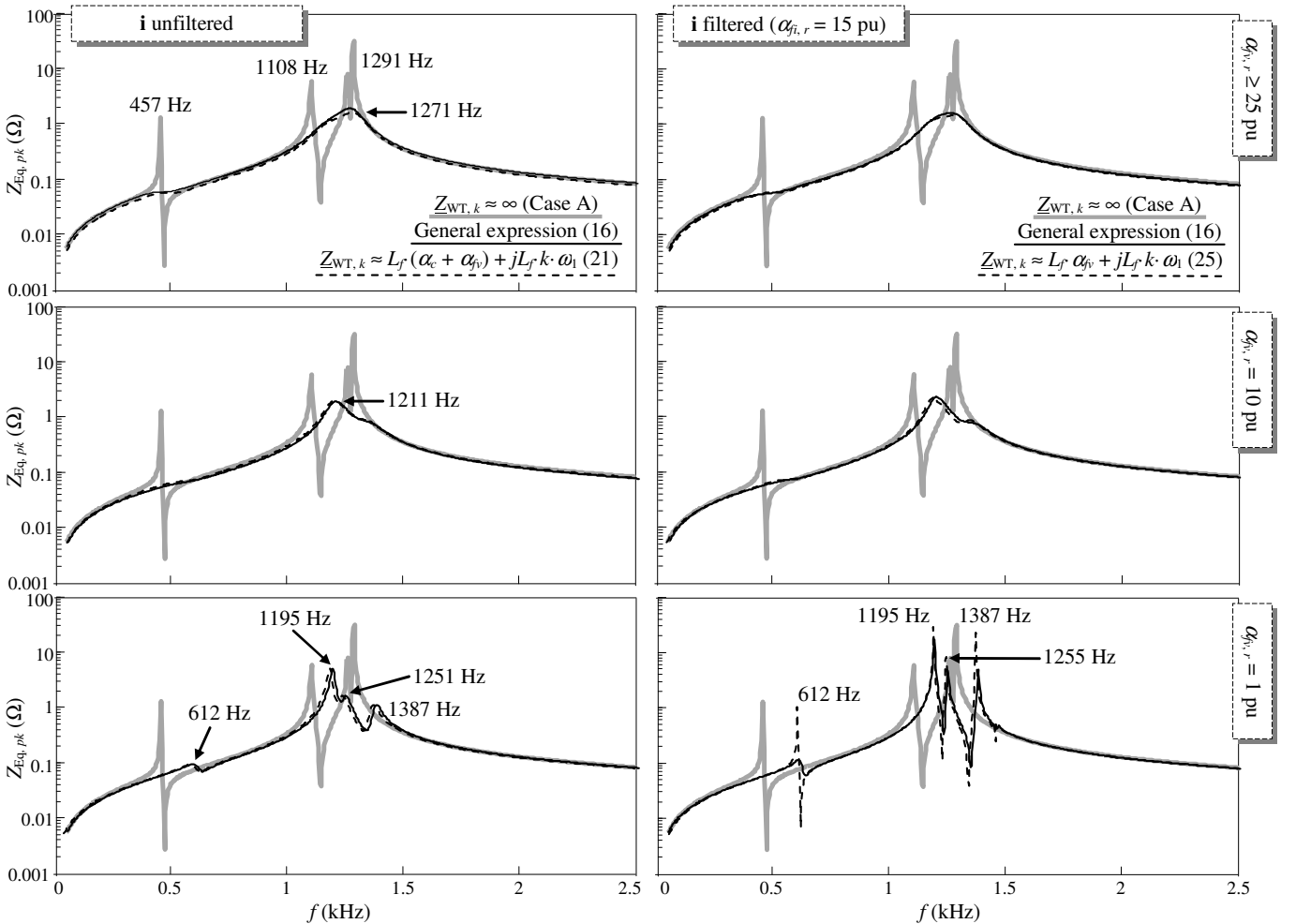


Fig. 6. Influence of WT VSC control on 8x5 offshore WPP resonance (data in Table 1 and $D(s) = 1$)

In Fig. 5(a), the general expressions of the equivalent impedances without and with converter time delay, (16) and (26) respectively, are compared to determine the influence of converter time delay. It can be noted that, if the grid voltage is filtered, converter time delay reduces the WT equivalent resistance but does not change the $L_f k \cdot \omega_l$ trend of the WT equivalent reactance significantly. This mainly reduces the damping effect of WT control at a frequency range where the WT equivalent resistance is smaller but does not affect WPP resonance frequencies significantly. Moreover, it can be observed that converter time delay may lead to negative values of the WT equivalent resistance, worsening system stability [16]. If the grid voltage is unfiltered, the WT equivalent harmonic impedance is not infinite, as in the case of zero time delay (see Subsection 3.1.1), which affects the damping and frequency of WPP resonances. These conclusions are presented in Subsection 4.1. In Fig. 5(b), the general expression of the equivalent impedance with converter time delay (26) is compared with the approximate expressions (28), (29) and (30) to validate the accuracy of these approximations. Although the comparison of the WT equivalent harmonic impedances when the currents are filtered with $\alpha_{fi,r} = 15$ pu is not shown, it was verified that the approximate expressions do not exhibit the same accuracy but can provide an acceptable prediction of the impedances because these impedances do not change significantly compared to the unfiltered case.

4. Application to Wind Power Plant Resonances

An 8x5 offshore WPP (data in Table 1) is studied to analyse the influence of WTs on WPP harmonic behaviour. The WPP consists of 40 type-4 WTs (i.e., full-scale VSC WTs), each with a rated capacity of 5 MW, arranged in five strings of 33 kV submarine cables. These strings collect eight WTs (separated 1 km from each other) at the offshore substation, which is connected to shore by a 10 km submarine cable. According to Table 1, the short-circuit impedance of the grid is $SCR = 2500/(8 \cdot 5 \cdot 5) = 12.5$ pu.

4.1. Frequency response of the wind power plant

The frequency response of the 8x5 offshore WPP is determined to analyse the influence of WTs on resonance frequencies. The frequency scan study is performed considering the ideal current source model in the literature (case A in Subsection 3.1), the general model of the WT equivalent harmonic impedance, (16), and the simplified models proposed in Subsection 3.3.3. The results of the WT positive-equivalent harmonic impedance considering zero time delay are illustrated for unfiltered and filtered ($\alpha_{fi,r} = 15$ pu) line current and several $\alpha_{fi,r}$ values in Fig. 6. These results show that the simplified models provide a good approximation of the general model. These simplified models allow easy analysis of the influence of WTs

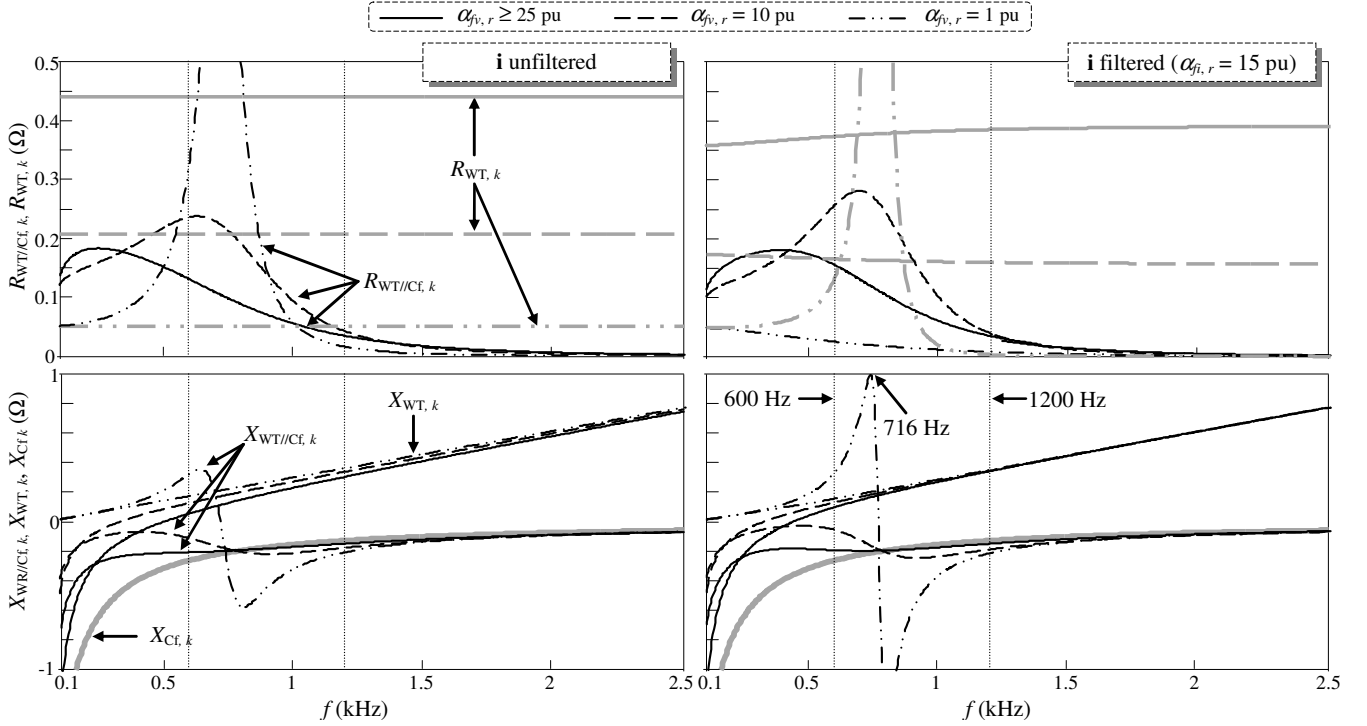


Fig. 7. Study of filter capacitor influence on WT equivalent impedance (data in Table 1 and $D(s) = 1$)

on WPP resonance frequencies in harmonic studies. It can be observed that WT control shifts WPP resonance frequencies and introduces a damping effect [9].

The damping effect of WT control is due to the resistance of the WT equivalent harmonic impedance, which depends on the filter inductance, L_f , and current control and grid voltage low-pass filter bandwidths, α_c and α_{fv} (see Subsection 3.5). It is slightly greater in the unfiltered line current case than in the filtered line current case because of the additional term $L_f \alpha_c$ in the WT equivalent harmonic resistance. Moreover, it increases with increasing the grid voltage low-pass filter bandwidth because of the $L_f \alpha_{fv}$ term. Note that, in the filtered line current case, the approximation (25) can underestimate the damping effect at low frequencies if $\alpha_{fi,r}$ is small (see $\alpha_{fi,r} = 15$ pu and $\alpha_{fi,r} = 1$ plot in Fig. 6). Hence, in this case it would be advisable to use (24). The accurate results provided by (24) for different values of the filter bandwidths were checked although they are not shown for the sake of clarity.

WT VSC control shifts the resonance frequencies as observed for $\alpha_{fi,r} = 1$. The influence of the filter capacitor C_f connected in parallel with the WTs is analysed in Fig. 7 to study this frequency response. Fig. 7 compares the impedances of the WT ($Z_{WT,k} = R_{WT,k} + j \cdot X_{WT,k}$), the filter capacitor ($Z_{Cf,k} = j \cdot X_{Cf,k}$) and the WT-capacitor set ($Z_{WT//Cf,k} = R_{WT//Cf,k} + j \cdot X_{WT//Cf,k} = Z_{WT,k} // Z_{Cf,k}$). It can be observed that there is a parallel resonance between the WT equivalent harmonic impedance and the filter capacitor reactances

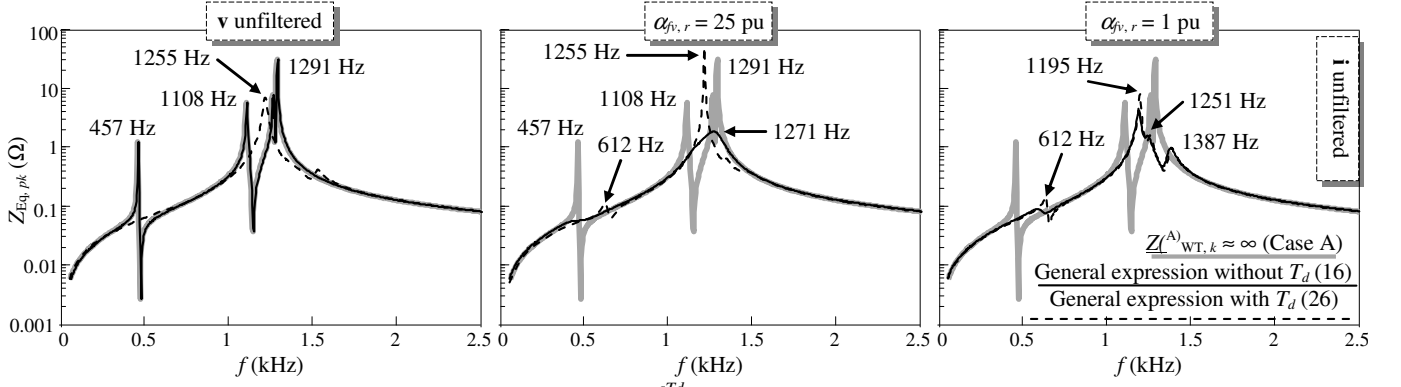


Fig. 8. Influence of WT VSC control with $D(s) = 1$ or $D(s) = e^{-sT_d}$ on 8x5 offshore WPP resonance (data in Table 1)

which, considering that $X_{WT,k} \approx L_f k \cdot \omega_1$ and $X_{Cf,k} = -1/(C_f k \cdot \omega_1)$, occurs approximately at the following frequency:

$$f_{res_Cf} \approx \frac{1}{2\pi\sqrt{L_f C_f}}. \quad (31)$$

According to Fig. 7, the WPP resonances below f_{res_Cf} in Fig. 6 are shifted by the WTs because the frequency response of the WT-capacitor set is affected by the WT equivalent harmonic impedance response. On the other hand, the WPP resonances above f_{res_Cf} mainly depend on the filter capacitor although the parallel resonances in the example are still affected by the WTs. In these cases, the typical WT current source model could be adopted to analyse WPP harmonic response approximately if the WPP parallel resonances are far enough from f_{res_Cf} .

The comparison of the WT positive-equivalent harmonic impedance obtained from the WT ideal current source, zero time delay and nonzero time delay general models ($Z_{WT,k}^{(A)} \approx \infty$, $Z_{WT,k}^{(C)}$ in (16) and $Z_{WT,k}^{(D)}$ in (26), respectively) is given for unfiltered line current and three feedforward grid voltage cases (filtered grid voltage with $\alpha_{fv,r} = 1$ pu or $\alpha_{fv,r} = 25$ pu and unfiltered grid voltage) in Fig. 8. The results in Subsection 3.4.2 show that the nonzero time delay model affects the WPP resonances as follows: (i) it can reduce the damping effect compared to the zero time delay model depending on the frequency range and the feedforward filter bandwidth when the grid voltage is filtered, but does not modify WPP resonance frequencies significantly; (ii) it introduces a damping effect and modifies the WPP resonance frequencies when the grid voltage is unfiltered. Although the results with the approximate expressions of the nonzero time delay model, (29) and (30), are not plotted in Fig. 8 for the sake of clarity, it was verified that these expressions are highly accurate. It was also verified that the influence of nonzero time delay when the line current is filtered is similar to when the line current is unfiltered, and that the approximate models for unfiltered line current also provide acceptable results.

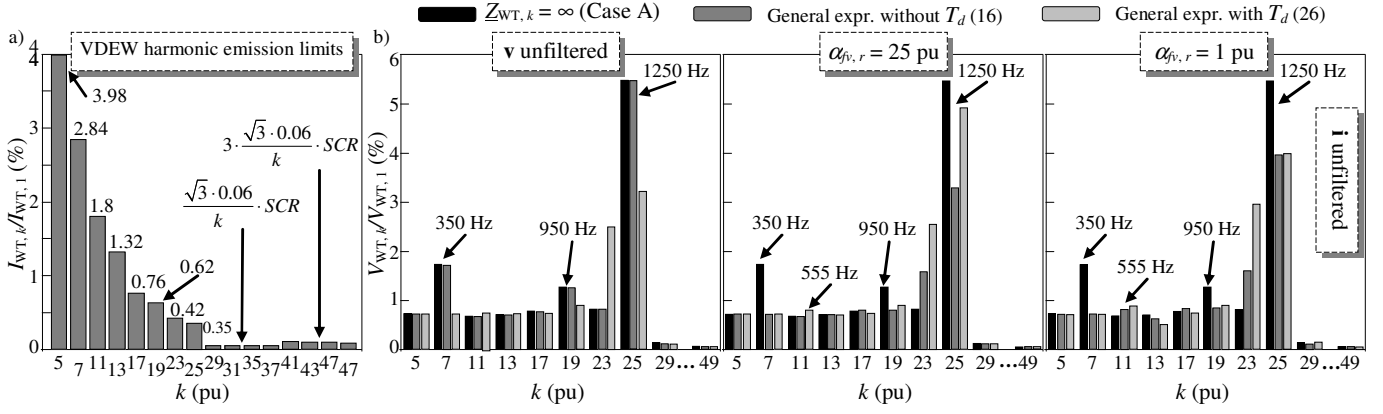


Fig. 9. Harmonic distortion at WT terminals (data in Table 1)

a VDEW current emission limits

b Voltage distortions

All the Subsection comments can be extended to the WT negative-equivalent harmonic impedance.

4.2. Harmonic voltage distortion of the wind power plant

The harmonic voltage distortions $HD_{WTv,k} = V_{WT,k}/V_{WT,1}$ at bus N_{r1} (i.e., at WT_{Nr1} terminals where resonances are studied) are numerically obtained from Matlab/Simulink simulations considering the harmonic current limits in the German Electricity Association (VDEW) Standard for generators connected to medium voltage networks [4], which are set in the study as the WT emission magnitudes $I_{WT,k}$ (or $HD_{WTi,k} = I_{WT,k}/I_{WT,1}$, where $I_{WT,1} = P_{WT,N}/(\sqrt{3} \cdot U_{WT,N})$ and $P_{WT,N}$ and $U_{WT,N}$ are in Table 1). This standard provides specific magnitude values of generator (or WT) harmonic limits based on the grid short-circuit ratio SCR , which can be easily included in the simulation program. The limits for a short-circuit ratio close to the 15 – 20 range are quite similar to the distortion limits in IEEE Standard 15471 (in particular, harmonics below 1.5 kHz) [4]. The harmonic voltages are easily obtained by multiplying the limit harmonic currents of the VDEW Standard by the WPP equivalent harmonic impedance at bus N_{r1} , i.e., $V_{WT,k} = Z_{Eq,k} \cdot I_{WT,k}$, where the WT equivalent harmonic impedances are considered in $Z_{Eq,k}$ according to the previous Sections. Fig. 9(a) plots the VDEW current emission limits used in the simulations and Fig. 9(b) plots the voltage distortions considering WT unfiltered line currents and three feedforward grid voltage cases (unfiltered grid voltage and filtered grid voltage with $\alpha_{fv,r} = 25$ pu or $\alpha_{fv,r} = 1$ pu). These voltage distortions are calculated considering the WT ideal current source model (i.e., $Z_{Eq,k}^{(A)} = \infty$) and the WT general model without and with time delay, $Z_{Eq,k}^{(C)}$ (16) and $Z_{Eq,k}^{(D)}$ (26), respectively. The harmonic frequencies with peak values of the voltage distortions are labelled to show that the voltage distortion pattern obtained is similar to the WPP harmonic response in Fig. 8. It can be observed that the frequencies of the maximum distortion values approximately correspond to the parallel resonance frequencies: (i) in

the unfiltered grid voltage example, the peak values of voltage distortion at 350 Hz and 950 Hz are related to the WPP equivalent impedance resonances at 475 Hz and 1108 Hz of the ideal current source model and the peak values at 1250 Hz are related to the resonances in the 1255 – 1300 Hz range of all models; (ii) in the filtered grid voltage example with $\alpha_{fv, r} = 25$ pu, the small peak value of voltage distortion at 555 Hz is related to the low resonance at 612 Hz of the nonzero time delay model and the other peak values are the same as in the unfiltered grid voltage example; (iii) in the filtered grid voltage example with $\alpha_{fv, r} = 1$ pu, the results are the same as with $\alpha_{fv, r} = 25$ pu but the peak value of voltage distortion at 555 Hz is greater because the resonance at 612 Hz of the nonzero time delay model is higher. The results show that harmonic voltage distortions can be higher and more dangerous when the parallel resonance matches exactly some frequencies of the WT harmonic emissions than when it is close to them. According to Section 3, the results of the general model without time delay (16) are similar to the results of the ideal current source model (case A in Subsection 3.1.1) when the grid voltage is unfiltered and they can also be approximated with (21) when the grid voltage is filtered. The results of the general model with time delay (26) can be approximated with (29) or (30) when the grid voltage is unfiltered or when it is filtered with a low bandwidth, respectively. It must be noted that the study is just an example to illustrate how the present work could be used in actual WPP applications to predict harmonic distortions at the WT connection point. Further research would be required to accurately evaluate the impact of resonance on WP power quality.

3. Conclusion

The influence of WT VSC control on offshore WPP harmonic response is studied. Analytical expressions of the WT equivalent harmonic impedance are presented considering the effect of current and feed-forward voltage filters. The influence of converter time delay in these expressions is also analysed. The obtained expressions allow the WT converter effect on WPP frequency scanning to be considered. Simplified expressions for the impedance which can be easily applied in frequency scanning are also proposed. It is observed that WT modelling as an ideal current source can lead to inaccurate results because WT VSC control shifts WPP resonance frequencies and introduces a damping effect. Frequency shifting must be considered for the whole frequency range. On the other hand, for frequencies above the resonance frequency between the WT filter inductance and filter capacitor, this shifting is mainly due to the filter capacitor. Therefore, the WT current source model could be used to estimate the range of parallel resonances if they are far from the WT filter resonance. The damping effect is also observed for the whole frequency range and is directly related to current control and grid voltage low-pass filter bandwidths. In general, converter time delay reduces the damping effect when the feedforward voltages are filtered, but

does not affect resonance frequencies significantly. In the case of unfiltered feedforward voltages, converter time delay increases the damping effect, which may modify resonance frequencies. PSCAD and Matlab/Simulink simulations are used to validate the analytical study. It must be noted that other WT VSC control structures lead to different WT Norton equivalent impedances, and therefore their influence on WPP resonances will be different. This influence could, however, be analysed following the procedure described here.

4. Acknowledgments

L. Sainz's work was carried out with the financial support of the "Ministerio de Economía y Competitividad" (grant ENE2013-46205-C5-3-R), which the authors gratefully acknowledge.

M. Cheah-Mane's work received funding from the People Programme (Marie Curie Actions) of the European Union Seventh Framework Programme FP7/2007-2013/ under REA grant agreement no. 317221, project title MEDOW.

5. References

- [1] Kocewiak, L. H.: 'Harmonics in large offshore wind farms'. Thesis for the PhD Degree in Electrical Engineering (http://vbn.aau.dk/files/62660098/lukasz_kocewiak.pdf), Dep. of Energy Technology, Aalborg University, Denmark, 2012.
- [2] Papathanassiou, S. A., Papadopoulos, M. P.: 'Harmonic analysis in a power system with wind generation'. IEEE Trans. On Power Delivery, 2006, 21, (4), pp. 2006-2016.
- [3] Tentzerakis, S. T., Papathanassiou, S. A.: 'An investigation of the harmonic emissions of wind turbines'. IEEE Trans. On Energy Conversion, 2007, 22, (1), pp. 150-158.
- [4] Rockhill, A. A., Liserre, M., Teodorescu, R., Rodríguez, P.: 'Grid-filter design for a multimewatt medium-voltage source inverter', IEEE Trans. on Industrial Electronics, 2013, 58 (4), pp. 1205-1216.
- [5] IEEE Standard for interconnecting distributed resources with electric power systems. IEEE Standard 15471, 2005.
- [6] IEEE PES Wind Plant Collector System Design Working Group.: 'Harmonics and resonance issues in wind power plants'. Proc. of the IEEE Power and Energy Society General Meeting, July 2011, pp. 1-8.
- [7] Yang, K.: 'On Harmonic Emissions, Propagation and Aggregation a Wind power Plants'. Doctoral Thesis, Dep. of Engineering Sciences and Mathematics, Lulea University of Technology, Sweden (<http://pure.ltu.se/portal/en/>).
- [8] Axelsson, U., Holm, U., Bollen, M., Yang, K.: 'Propagation of harmonic emission from the turbines through the collection grid to the public grid'. Proc. 22nd Int. Conf. and Exhibition on Electricity Distribution (CIRED 2013), 2013, pp. 1-4.
- [9] Buchhagen, C., Rauscher, C., Menze, A., Jung, J.: 'BorWin1 – First Experiences with harmonic interactions in converter dominated grids'. International ETG Congress, Nov. 2015, pp. 1-7.

- [10] Zheng, R., Bollen, M., Zhong, J.: 'Harmonic resonances due to a grid-connected wind farm'. Proc. 14th Int. Conf. on Harmonics and Quality of Power (ICHQP 2010), Sept. 2010, pp. 1-7.
- [11] Li, J., Samaan, N., Williams, S.: 'Modeling of large wind farm systems for dynamic and harmonics analysis'. Proc. IEEE/PES Transmission and Distribution Conference and Exposition, April 2008.
- [12] Ghassemi, F., Koo, K-L. : 'Equivalent network for wind farm harmonic assessments'. IEEE Trans. on Power Delivery, 2010, 25, 3, pp. 1808-1815.
- [13] Zhang, S., Jiang, S., Lu, X., Ge, B., Zheng, F.: 'Resonance issues and damping techniques for grid-connected inverters with long transmission cable'. IEEE Trans. on Power Electronics, 2014, 29, 1, pp. 110-120.
- [14] Harnefors, L., Yepes, A. G., Vidal, A., Doval-Gandoy, J.: 'Passivity-based controller design of grid-connected VSCs for prevention of electrical resonance instability'. IEEE Trans. on Industrial Electronics, 2015, 62, 2, pp. 702–710.
- [15] Chen, X., Sun, J.: 'A study of renewable energy systems harmonic resonance based on a DG test-bed'. Proc. 26th IEEE Applied Power Electronics Conference and Exposition (APEC 2011), March 2011, pp. 995-1002.
- [16] Harnefors, L., Bongiorno, M., Lundberg, S.: 'Input-admittance calculation and shaping for controlled voltage-source converters'. IEEE Trans. on Industrial Electronics, 2007, 54, 6, pp. 3323-3334.
- [17] Cespedes, M., Sun, J.: 'Modeling and mitigation of harmonic resonance between wind turbines and the grid'. Proc. IEEE Energy Conversion Congress and Exposition, Sept. 2011, pp. 2109-2116.
- [18] Cespedes, M., Sun, J.: 'Impedance modeling and analysis of grid-connected voltage-source converters'. IEEE Trans. on Power Electronics, 2014, 29, 3, pp. 1254-1261.
- [19] Freijedo, F. D., Chaudhary, S. K., Teodorescu, R., Guerrero, J. M., Bak, C. L., Kocewiak, Ł. H., Jensen, C. F.: 'Harmonic Resonances in Wind Power Plants: Modeling, Analysis and Active Mitigation Methods'. 2015 IEEE Eindhoven PowerTech, June 2015, pp. 1-6.
- [20] Bakhshizadeh, M. K., Hjerrild, J., Kocewiak, L., Hesselbæk, B., Sørensen, T., Blaabjerg, F., Bak, C. L., Faria da Silva, F.: 'Harmonic Modelling, Propagation and Mitigation for Large Wind Power Plants Connected via Long HVAC Cables: Review and Outlook of Current Research'. IEEE International Energy Conference (ENERGYCON 2016), April 2016, pp. 1-5.
- [21] Wang, X., Blaabjerg, F., Wu, W.: 'Modeling and Analysis of Harmonic Stability in an AC Power-Electronics-Based Power System'. IEEE Trans. on Power Electronics, 2014, 29, 12, pp. 6421-6432.
- [22] Bayo-Salas, A., Beertenyz, J., Rimez, J., Van Hertem, D.: 'Impedance-based stability assessment of parallel VSC HVDC grid connections'. 11th IET International Conference on AC and DC power transmission, Feb. 2015, pp. 1-9.
- [23] Cespedes, M., Sun, J.: 'Three-phase impedance measurement for system stability analysis'. IEEE 14th Workshop on Control and Modeling for Power Electronics (COMPEL), June 2013, pp. 1-6.

Appendix 1: Complex Space Phasor Representation of Harmonics in Synchronous (or $d-q$) Reference Frame

If zero-sequence components are not considered, three-phase quantities ($x_a(t)$, $x_b(t)$, $x_c(t)$) can be expressed as $d-q$ complex space phasors as follows:

$$\mathbf{x} = x_d + j \cdot x_q = \frac{2}{3} \left(x_a + e^{j2\pi/3} x_b + e^{j4\pi/3} x_c \right) e^{-j\theta_1}, \quad (32)$$

where $d\theta_1/dt = \omega_1$.

The results of transformation (32) depend on the unbalanced or balanced conditions of the three-phase quantities.

A.1. Unbalanced conditions

Considering (32), three-phase non-sinusoidal quantities in unbalanced conditions

$$\begin{aligned} x_a(t) &= \text{Re}\{\underline{X}_{a1} \cdot e^{j\omega_1 t}\} + \sum_{k>1} \text{Re}\{\underline{X}_{ak} \cdot e^{j k \omega_1 t}\} & x_b(t) &= \text{Re}\{\underline{X}_{b1} \cdot e^{j\omega_1 t}\} + \sum_{k>1} \text{Re}\{\underline{X}_{bk} \cdot e^{j k \omega_1 t}\} \\ x_c(t) &= \text{Re}\{\underline{X}_{c1} \cdot e^{j\omega_1 t}\} + \sum_{k>1} \text{Re}\{\underline{X}_{ck} \cdot e^{j k \omega_1 t}\}, \end{aligned} \quad (33)$$

are expressed as $d-q$ complex space phasors as follows:

$$\mathbf{x} = \underline{X}_{p1} + \underline{X}_{n1}^* e^{-j2\omega_1 t} + \sum_{k>1} \left(\underline{X}_{pk} e^{j(k-1)\omega_1 t} + \underline{X}_{nk}^* e^{-j(k+1)\omega_1 t} \right), \quad (34)$$

where the complex vectors $\underline{X}_{p1} = X_{p1} \angle \phi_{p1}$ and $\underline{X}_{n1} = X_{n1} \angle \phi_{n1}$ are the positive- and negative-sequence fundamental phasors and the complex vectors $\underline{X}_{pk} = X_{pk} \angle \phi_{pk}$ and $\underline{X}_{nk} = X_{nk} \angle \phi_{nk}$ (with $k > 1$) are the k^{th} positive- and negative-sequence harmonic phasors of the unbalanced three-phase non-sinusoidal quantities (superscript * indicates complex conjugate).

A.2. Balanced conditions

Three-phase non-sinusoidal quantities in balanced conditions

$$\begin{aligned} x_a(t) &= \text{Re}\{\underline{X}_1 \cdot e^{j\omega_1 t}\} + \sum_{k>1} \text{Re}\{\underline{X}_k \cdot e^{j k \omega_1 t}\} \\ x_b(t) &= x_a(t + 2T_1/3) & x_c(t) &= x_a(t + T_1/3) \quad (T_1 = 1/f_1), \end{aligned} \quad (35)$$

verify that the complex vector $\underline{X}_1 = X_1 \angle \phi_1$ is the fundamental positive-sequence phasor of the balanced three-phase quantities (i.e., under balanced conditions, $\underline{X}_{p1} = \underline{X}_1$ and $\underline{X}_{n1} = 0$ in (34)) and the complex

vectors $\underline{X}_k = X_k \angle \phi_k$ (with $k = 4, 7 \dots$ and $k = 2, 5 \dots$) are the k^{th} positive- and negative-sequence harmonic phasors of the balanced three-phase quantities (i.e., under balanced conditions, $\underline{X}_{pk} = \underline{X}_k$ and $\underline{X}_{nk} = 0$ for $k = 4, 7 \dots$ and $\underline{X}_{pk} = 0$ and $\underline{X}_{nk} = \underline{X}_k$ for $k = 2, 5 \dots$ in (34)). Thus, considering (32), three-phase non-sinusoidal quantities under balanced conditions are expressed as d - q complex space phasors as follows:

$$\mathbf{x} = \underline{X}_1 + \sum_{k=4,7\dots} \underline{X}_k e^{j(k-1)\omega_1 t} + \sum_{k=2,5\dots} \underline{X}_k^* e^{-j(k+1)\omega_1 t}. \quad (36)$$

Note that, under balanced conditions, harmonics with orders of multiples of 3 (i.e., $k = 3, 6 \dots$) correspond to the zero-sequence phasors, which are zero in d - q reference frame and are usually neglected in WPP applications. Even harmonics are also negligible in power systems because of voltage and current half-wave symmetry.